

INSTRUCTION

Item:HOM-HGSC-60W



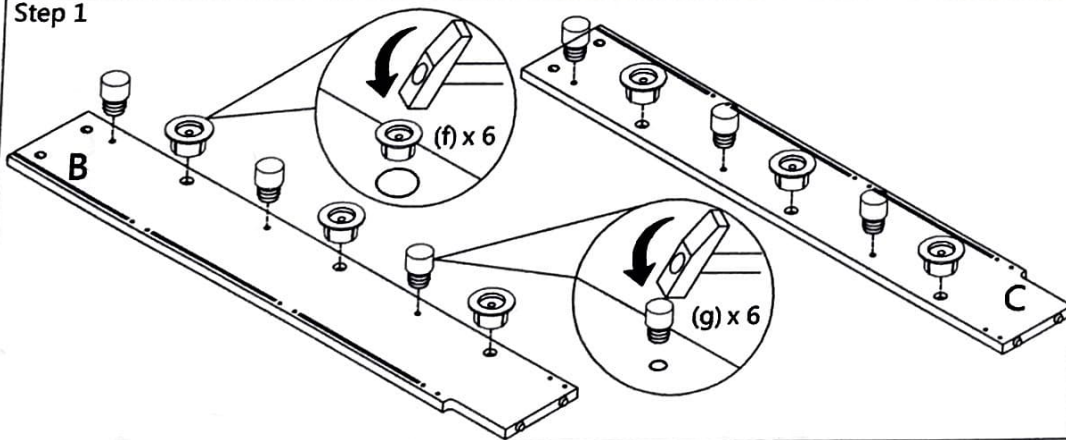
60 min

Parts & Hardware

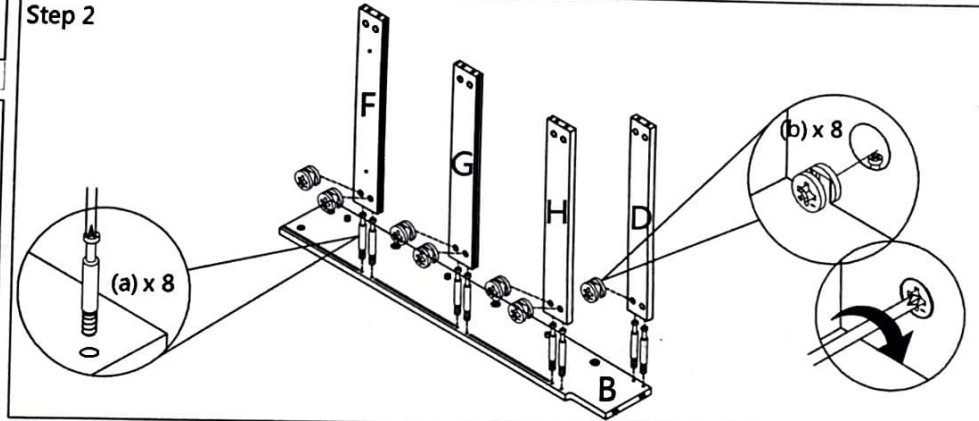
 A=1 PC	 B=1 PC	 C=1 PC	 D=1 PC
 E=3 PCS	 F=1 PC	 G=1 PC	 H=1 PC
 I = 3 PCS	 J = 3 PCS	 K=3 PCS	
 a = 20PCS	 b = 20PCS	 c = 4 PCS	 d = 42PCS
 f = 6 PCS	 g = 6 PCS	 h = 6 SETS	 i = 3 SETS
 j = 3 PCS	 k = 3 PCS	 l = 3 SETS	 Wall plug m = 2 SETS

Assembly

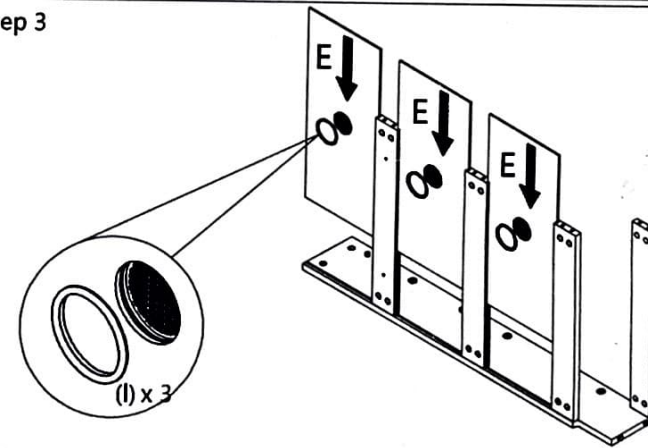
Step 1



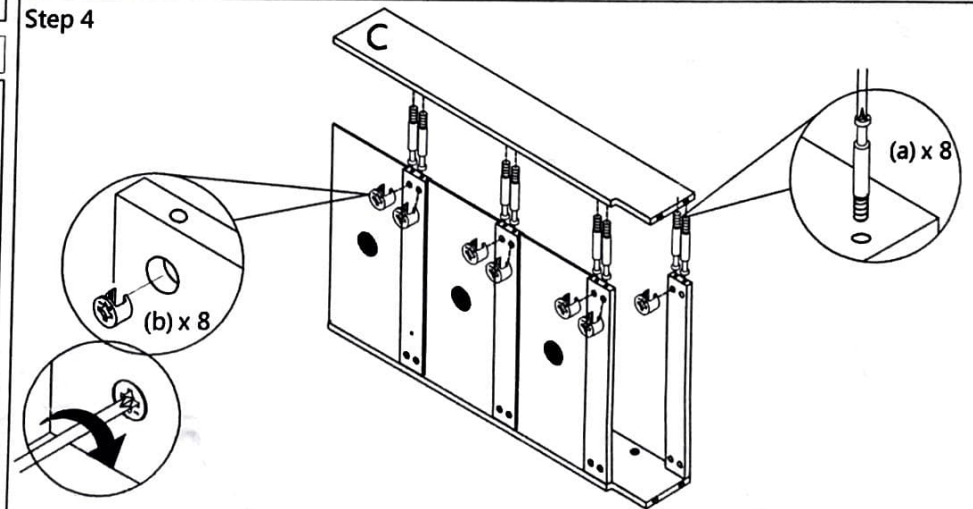
Step 2



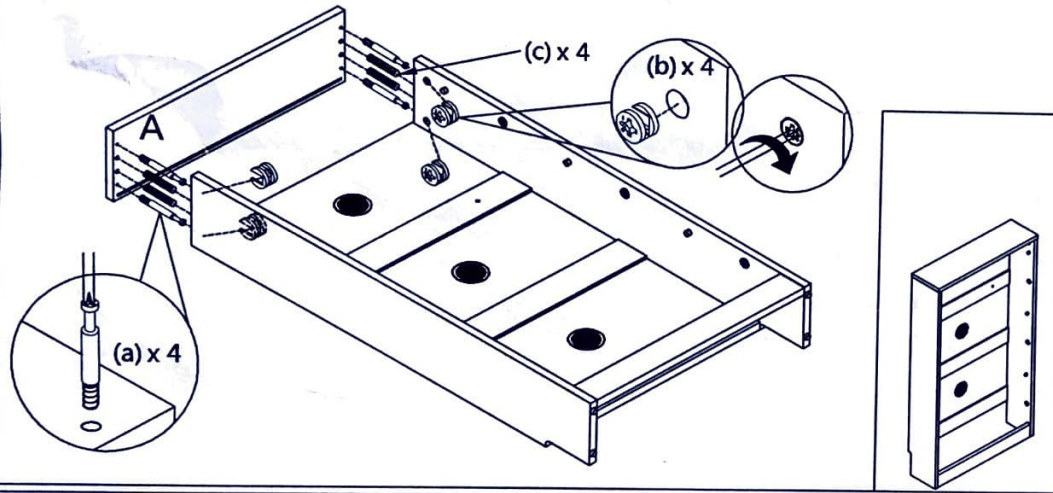
Step 3



Step 4

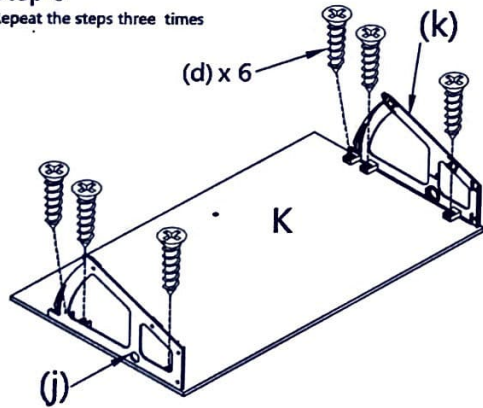


Step 5



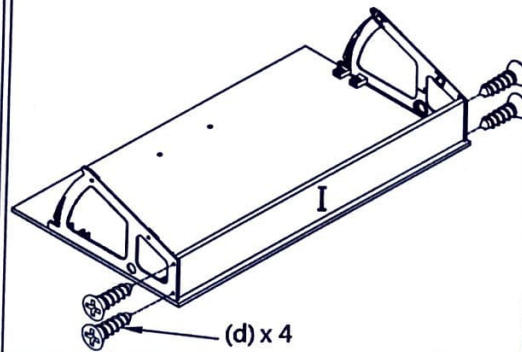
Step 6

Repeat the steps three times



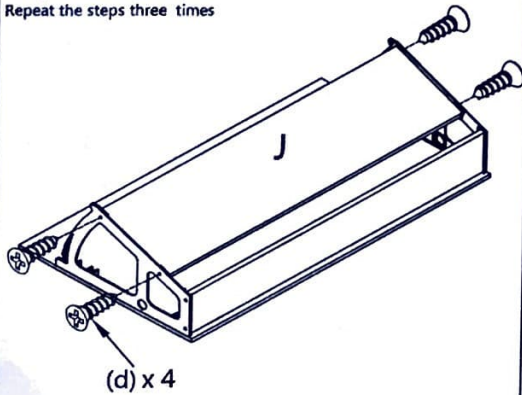
Step 7

Repeat the steps three times



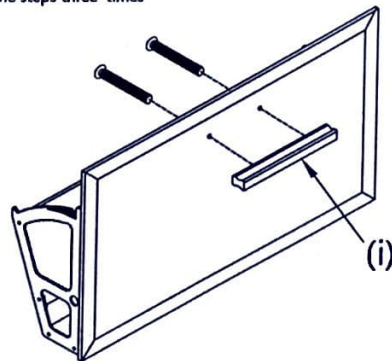
Step 8

Repeat the steps three times

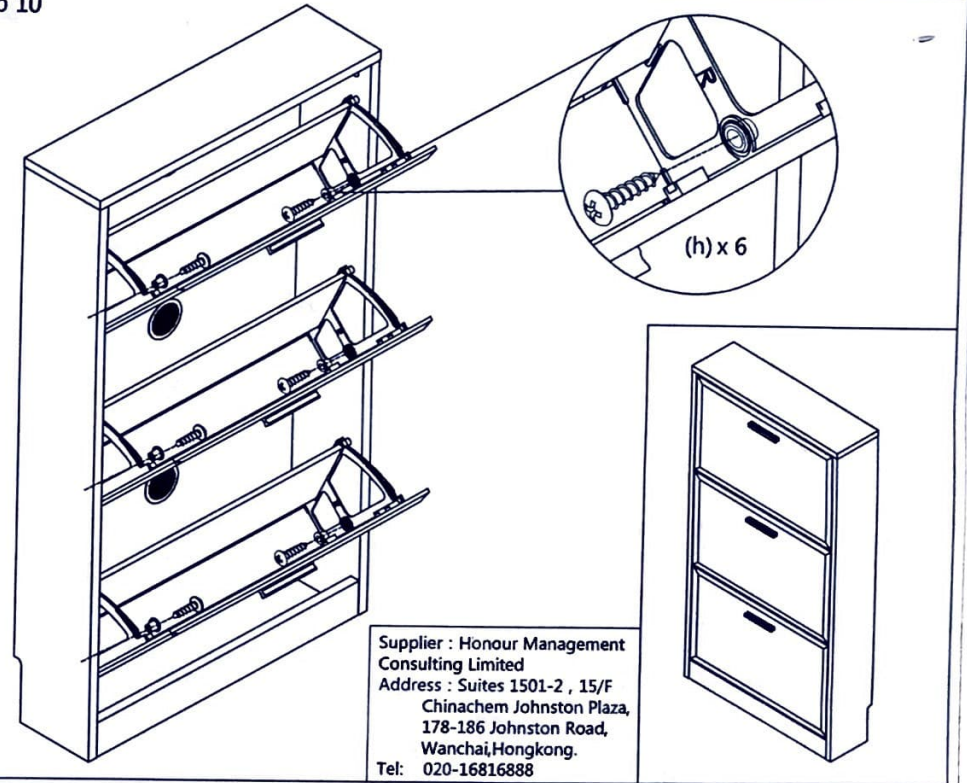


Step 9

Repeat the steps three times



Step 10



Supplier : Honour Management Consulting Limited
 Address : Suites 1501-2 , 15/F Chinachem Johnston Plaza, 178-186 Johnston Road, Wanchai, Hongkong.
 Tel: 020-16816888

Step 11

*Secure this unit to the wall, using a drill to mount 2(m)

Warning:

This is a cabinet in vertical structure, we would like to note you that please don't pull the drawers at the same time. Otherwise, the cabinet will fall down cause you have injuries due to principles of gravity.

The correct instruction is use the screws(m) and wall plugs(m) to fix the cabinet on the wall, please according to the below instruction. After finish this step, we can pull the drawers as you like. Please be assured use. It is safe now.

